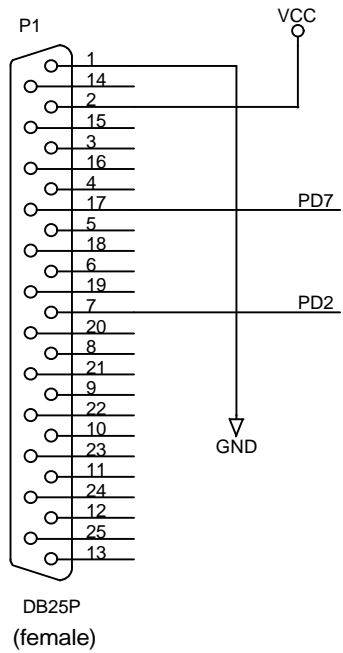
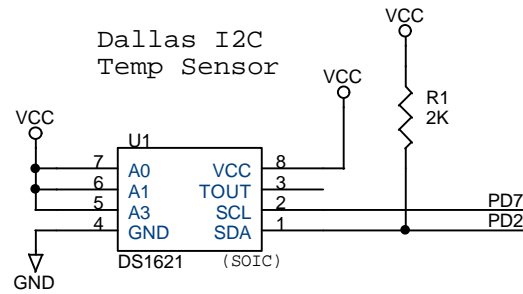


PicoWeb Server
I/O Connector



Dallas I2C
Temp Sensor



Note: Use with PicoWeb projects "webtemp" and/or "webled".

X:\AVR\ORCAD\PW_TEMP_SENSOR.DSN Copyright 1999-2000 by B.D. Lightner

Lightner Engineering

Title

PicoWeb(tm) Server Temperature Sensor

Size

Document Number

Rev

1.0

Date: Wednesday, January 19, 2000 Sheet 1 of 1