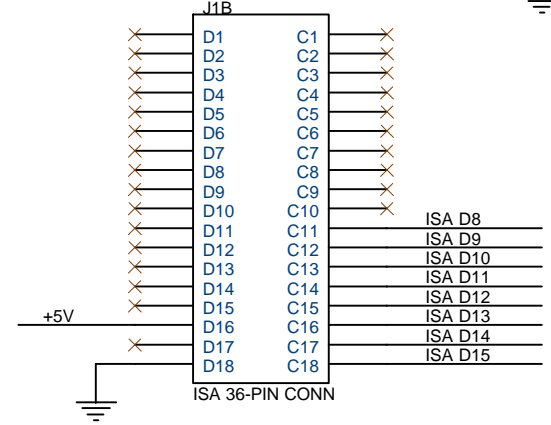
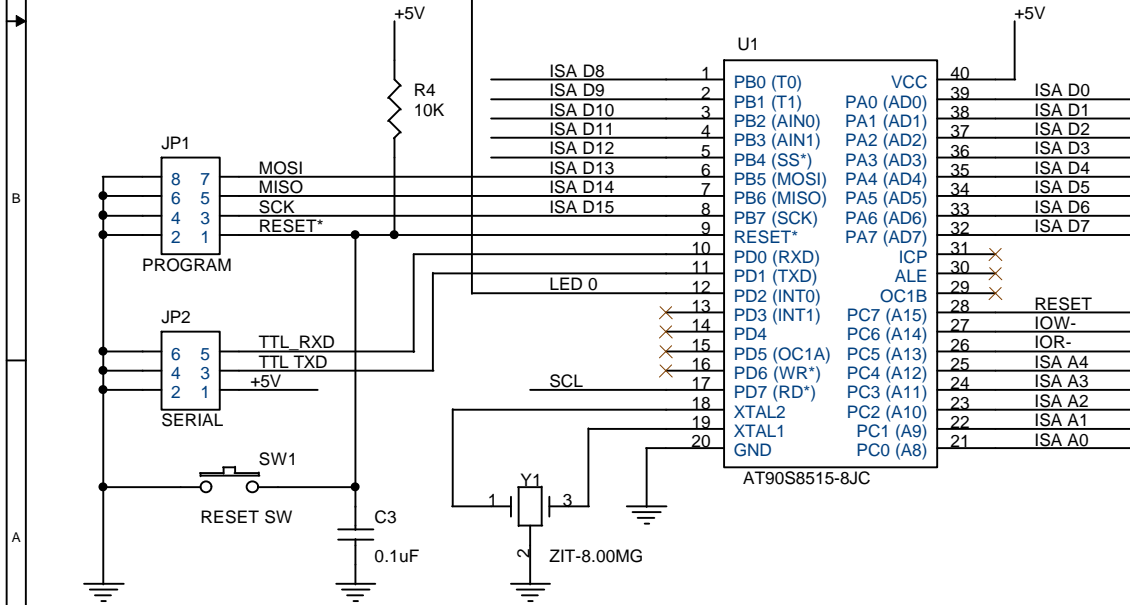
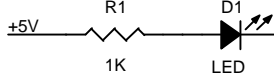
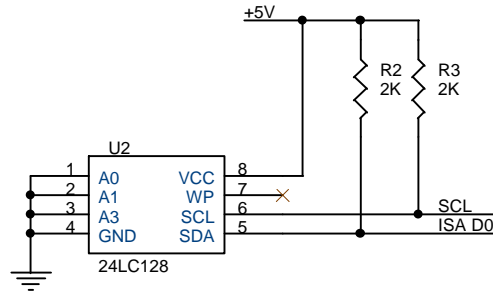
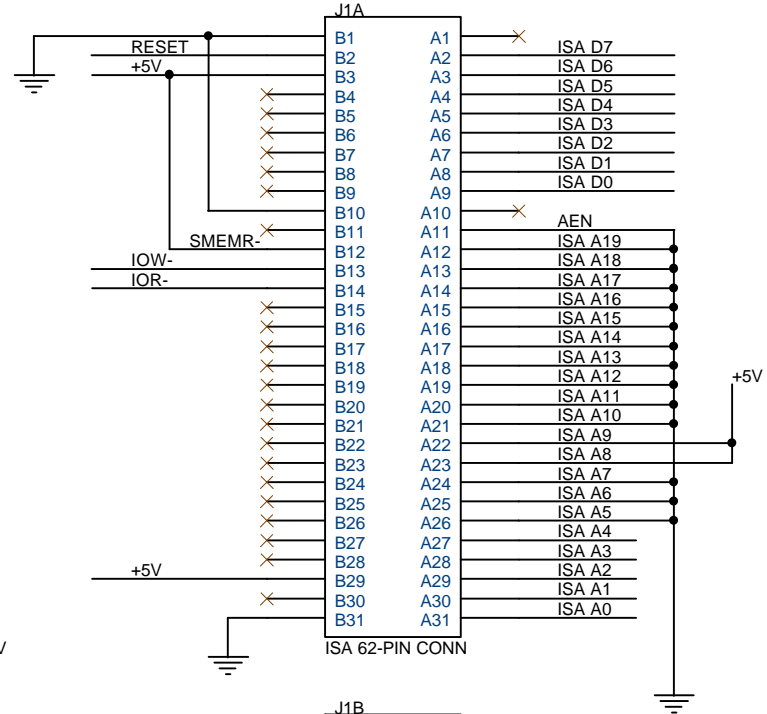
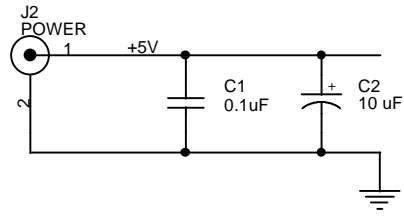


**Parallel Port Program Cable**

DB25-2	JP1-1	RESET
DB25-3	JP1-3	SCK
DB25-4	JP1-7	MOSI
DB25-13	JP1-5	MISO
DB25-12	DB25-14	LOOP
DB25-25	JP1-2	GND
DB25-24	JP1-4	GND
DB25-23	JP1-6	GND
DB25-22	JP1-8	GND



Title		
Frey-N-Hell Light PicoWeb Server Breadboard		
Size	Document Number	Rev
A	PicoWeb Server 1.0 (prototype)	X
Date:	Wednesday, September 29, 1999	Sheet 1 of 2